



Qubo

A **Hero**  
Group Venture

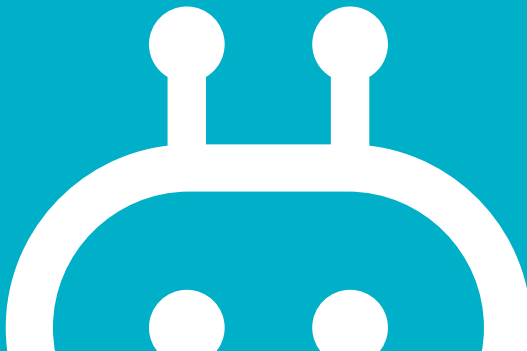
# The QBOOK Smart Door Lock



VISIT OUR YOUTUBE PAGE AND WATCH  
THE HOW-TO VIDEOS  
FOR MORE INFORMATION.



Scan QR code



Meet  
**QUBO**  
Smart Door Lock

Do you keep worrying about losing your home keys? Or does the thought of the keys getting copied or stolen scare you?

Don't worry, Qubo Smart Door Lock has got your back. Now get ready to go keyless & enjoy the convenience of a smarter way to live life.

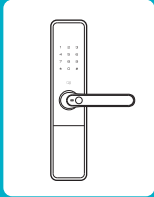
The Qubo Smart Door Lock ensures layers of security and key-less convenience with its 5-way access options (Finger Print, PIN Code, Access Card, Qubo Mobile App & Mechanical Key). Even if the battery drains out, one can simply jump-start using a USB cable connected to an external power source. Enjoy keyless living with your Qubo Smart Door Lock!.

# Contents

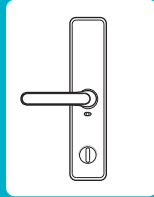
1. What's in the box?
2. Let's take a closer look
3. What you will need?
4. Lets Get Started - Installation Steps
5. Safety Guidelines
6. Support & Disclaimers



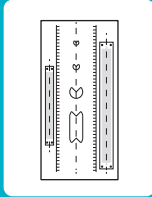
# WHAT'S IN THE BOX?



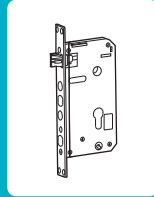
Front Panel  
(including  
silicone pad)



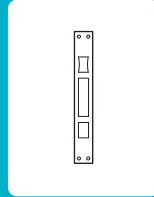
Back Panel  
(including  
silicone pad)



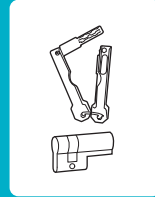
Drilling Template



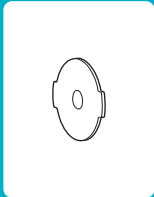
Mortise



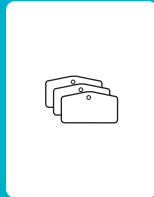
Strike Plate



2 Mechanical Keys  
& Key Cylinder



Mounting Plate



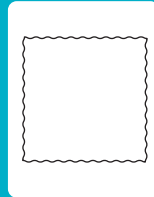
3 Access Cards



Screw Kit



User Manual



Cleaning Cloth

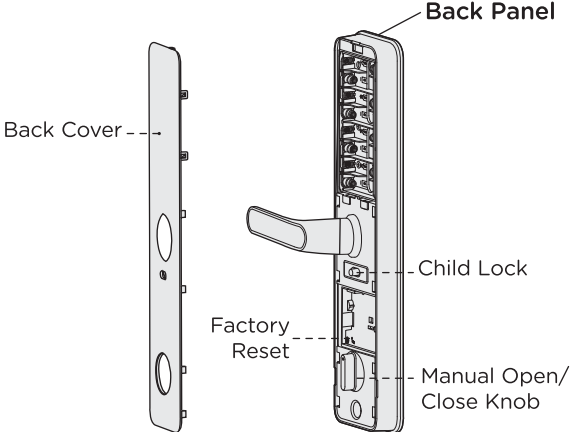
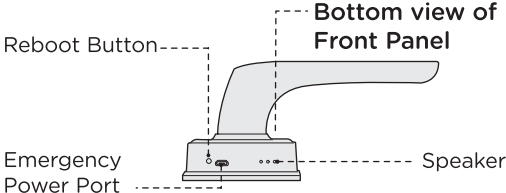
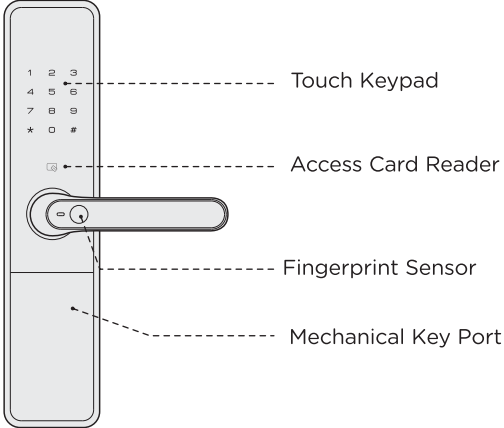


Warranty Card

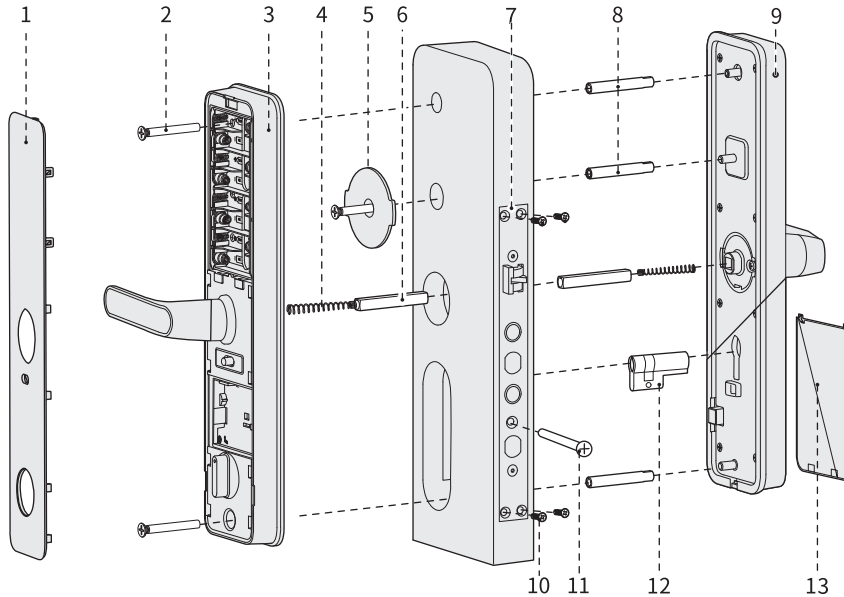
**Disclaimer** Box contents are for reference only, actual box content may vary.

# Let's take a closer LOOK

## Front Panel



# EXPLODED VIEW OF YOUR DEVICE



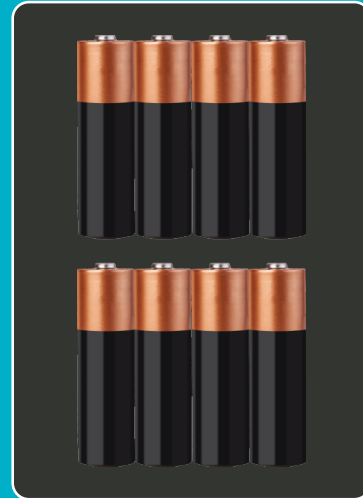
1. Back Cover
2. Mounting Screw (3pcs)
3. Back Panel
4. Pressure Spring (2 pcs)
5. Mounting Plate
6. Square Shaft (2 pcs)
7. Mortise
8. Connecting Screw Bolt (3 pcs)
9. Front Panel
10. Fixed Screw (4 pcs)
11. Key Cylinder Screw (1)
12. Key Cylinder
13. Mechanical Key Cover

# What else you will **NEED?**

Qubo App on your Smartphone



8 AA Alkaline Batteries  
are recommended

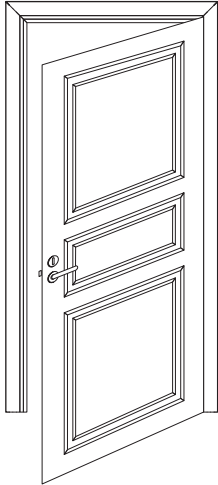


# LETS GET STARTED - INSTALLATION STEPS

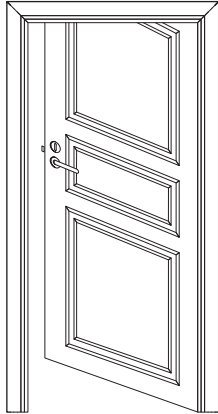
## Check door open direction

This product fits for all door open directions Right-out/Right-in/Left-out/Left-in.

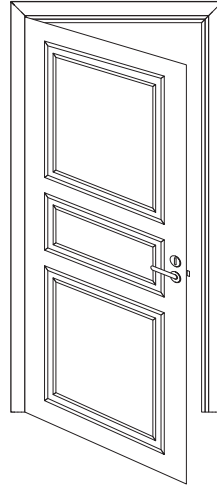
Right-out



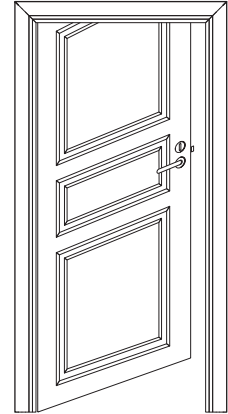
Right-in



Left-out

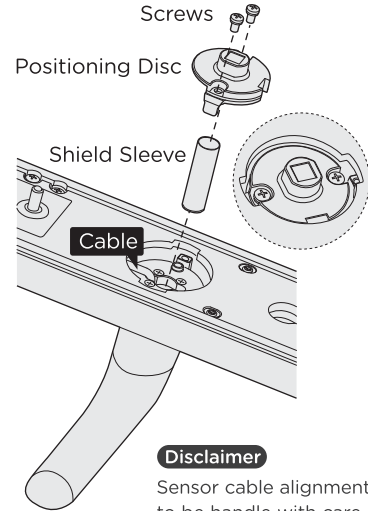
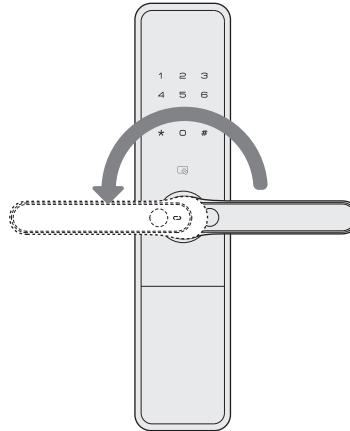
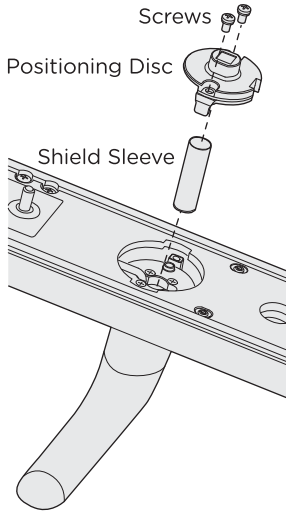


Left-in



# CHANGE HANDLE DIRECTION OF FRONT PANEL

By default, Door Lock is for Right-Out/Right-In doors, to change handle direction of front panel to Left-In/Left-Out read instructions below:



## Disclaimer

Sensor cable alignment to be handle with care.

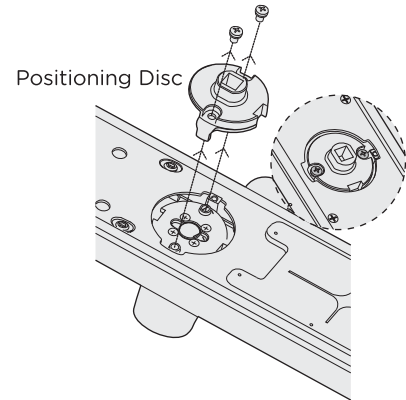
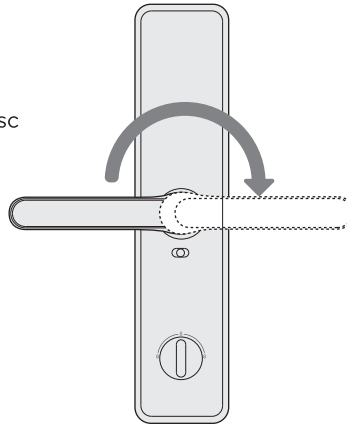
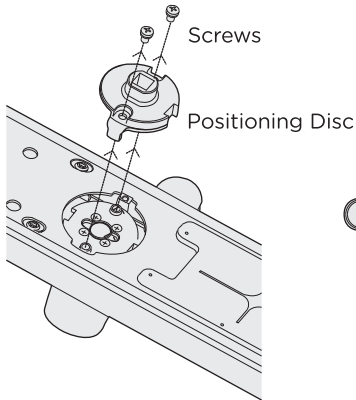
**Step 1:** Take out the 2 screws, the positioning disc and the shield sleeve.

**Step 2:** Rotate the handle to the other end.

**Step 3:** Position the sensor cable to the upper side, then put the positioning disc and shield sleeve back, and fasten the screws.

**Note:** Remove the positioning disc, then change the direction of handle and place the positioning disc back.

# CHANGE HANDLE DIRECTION OF BACK PANEL



**Step 1:** Take out the 2 screws and the positioning disc.

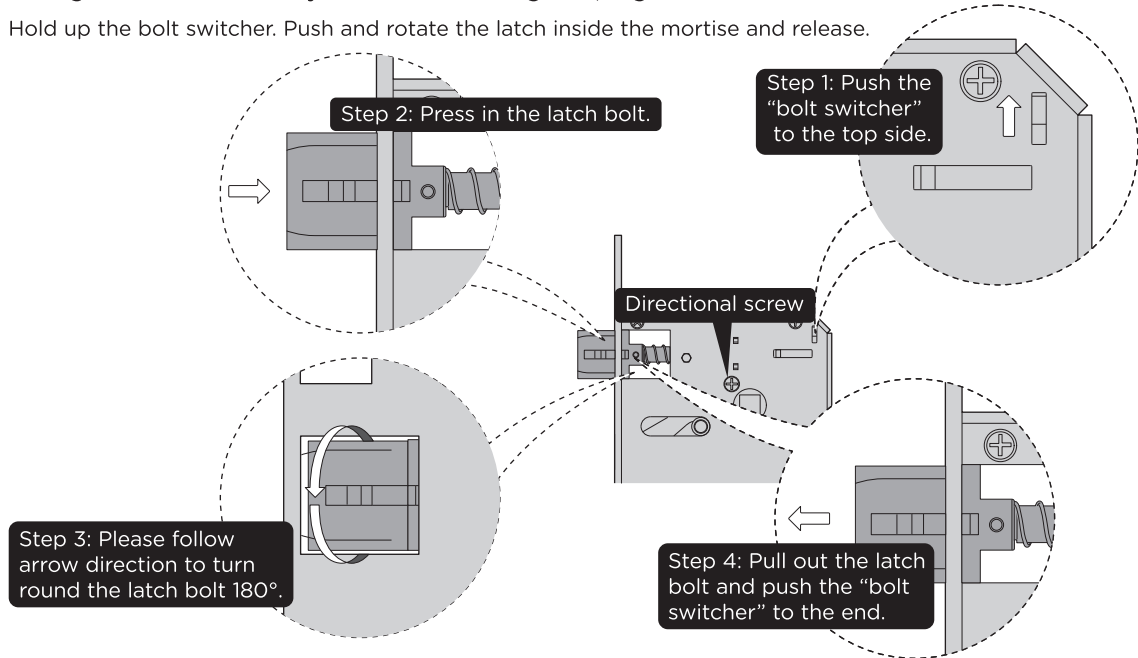
**Step 2:** Rotate the handle to the other end.

**Step 3:** Put the positioning disc and shield sleeve back, and fasten the screws.

# CHANGE LATCH DIRECTION

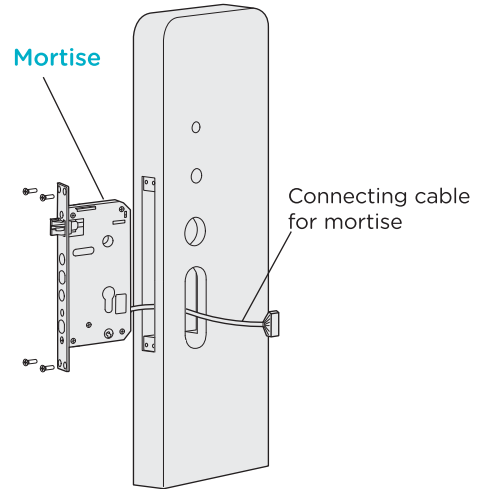
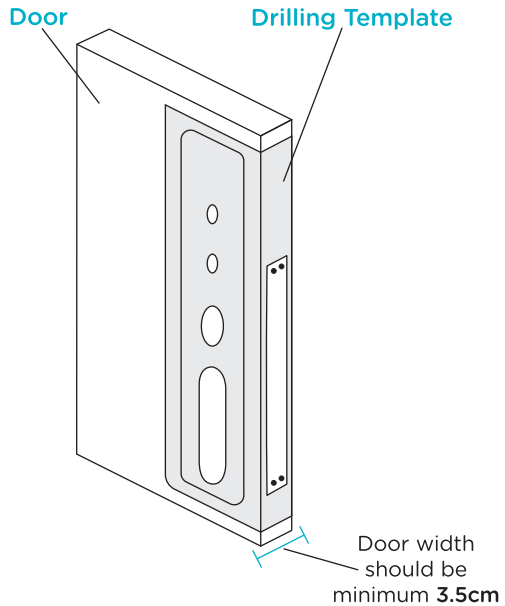
Change latch direction- by default it is on Right-In/Right-Out.

Hold up the bolt switcher. Push and rotate the latch inside the mortise and release.



- Note:**
- After you change the latch, remove the directional screw and fix it to the other side.
  - The directional screw should be facing inside the door.

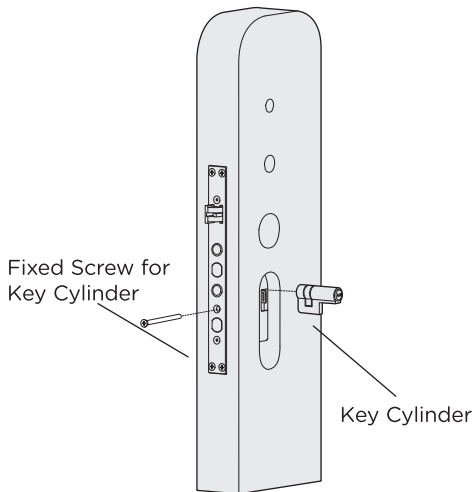




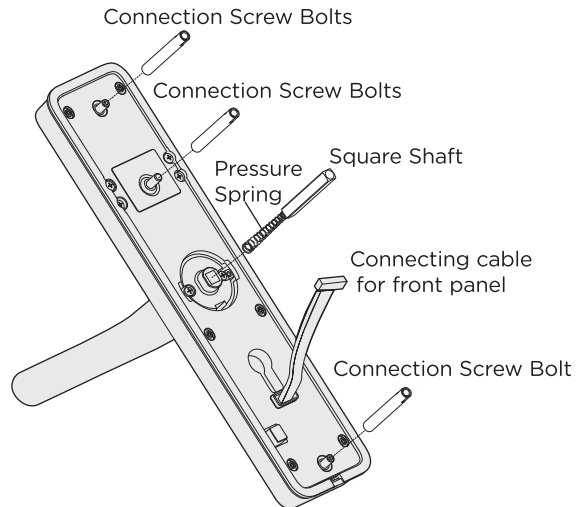
**Step 1:** Position the 'drilling template' (provided in box) on the door and drill holes as indicated.

**Step 2:** Install the Mortise as mentioned in the picture and tighten the screws to fix the mortise on the door.

**Disclaimer** Make sure all four holes are properly aligned as per the drilling template.

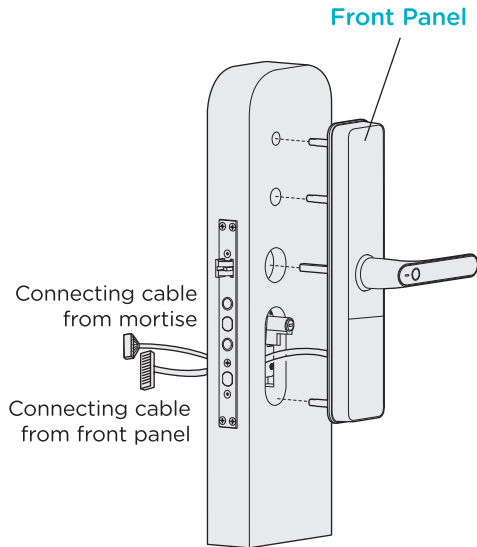


**Step 3:** Put the key cylinder into the corresponding position of the mortise, then fasten it via tightening the screw.

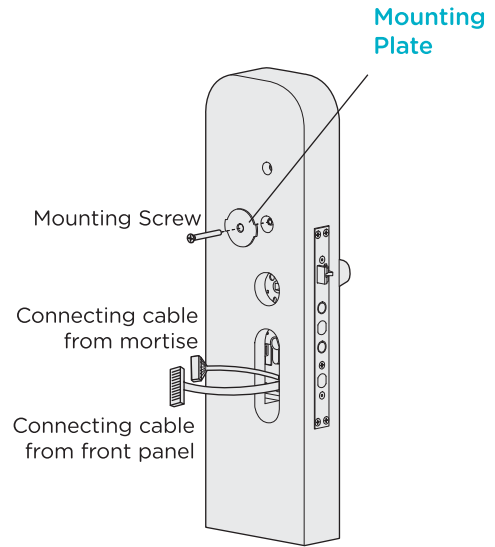


**Step 4:** Fix 3 screw bolts on the front panel, place square shaft and pressure spring into the bore.

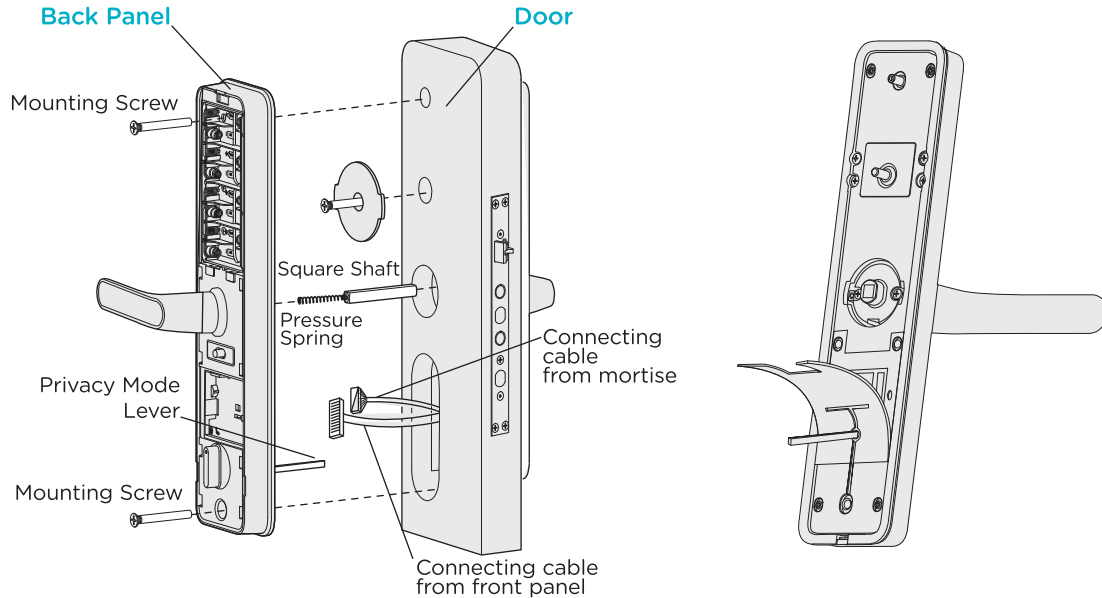
**Disclaimer** Please press the pressure spring at the end of the square shaft before installing it.



**Step 5:** Pass the connection cable through the bottom bore. Then align and insert square shaft into mortise holes to make the front panel fit against the door closely.

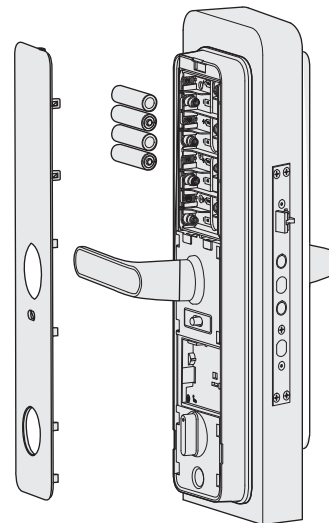
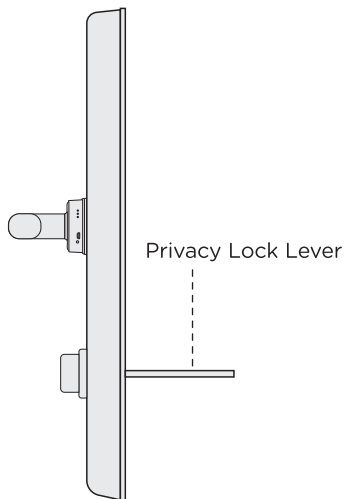


**Step 6:** Install the mounting plate using the mounting screw and fasten them against the door surface to fix the front panel.



**Step 7:** Place pressure spring and square shaft in the back panel properly.

**Step 8:** Remove silicon cover on the back panel and insert the connecting cable through the mortise and front panel into related sockets. Align and insert the square shaft into mortise hole.



**Disclaimer** Post installation, please check if the lock works smoothly by opening/closing door.  
Test if mechanical key works smoothly after installation.

**Step 9:** Shorten the privacy lock lever according to the thickness of your door. Make sure privacy lever fits into the mortise bore.  
Now fasten the back panel to the door using the mounting screws.

**Step 10:** Install the batteries and the battery cover. Then install the strike plate on the door frame to finish the installation. Please check handle, child lock, Manual Knob and mechanical key if they are working properly.

**Note:** In case, after installation if the manual knob is not operational then - check whether the length of privacy lock lever needs to be shortened further.

# MULTIPLE WAYS TO ACCESS YOUR DOOR



Finger Print



Pincode



Qubo Mobile App



Access Card



Mechanical Key

# SETUP ACCESS FOR YOUR SMART DOOR LOCK

## ACCESS SETUP THROUGH QUBO APP

### Step 1

Download the Qubo App from Google Play or Apple App Store by scanning the QR Code below.



### Step 2

Create an account on the QUBO App if you don't have account else open Qubo app and follow the instructions to get started. You can also start your device by using below steps:

## ACCESS SETUP MANUALLY

### Step 1: Setting up a Master PIN

- o Touch the screen to activate
- o By default, Master PIN is 12345678
- o Press \* twice and enter Master PIN code and press #.
- o Follow instructions as guided by device.

**Step 2:** To add user PIN code press 1 for user setting, than press 1 to enroll user PIN. Enter two-digit user number (00-09), and confirm with # key.

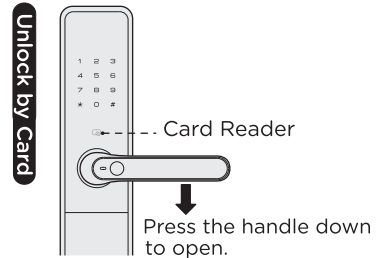
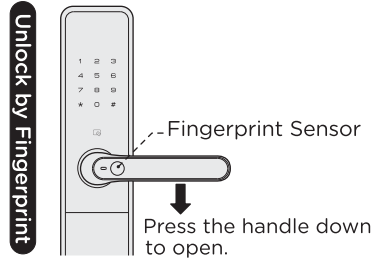
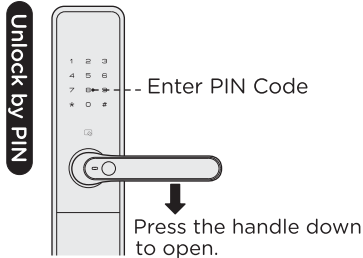
**Step 3:** Enter user PIN code (6-12 digit) and confirm with # key.

To know how to add/delete access options of your QUBO Smart Door lock please scan below the QR Code



**Note:** Access Setup is recommended through Qubo Mobile App.

# HOW TO UNLOCK FROM OUTDOOR/ FRONT PANEL



## Outdoor | Front panel

1. Slide your hand on the touch pad from bottom to top to activate and lighten the keypad.
2. Enter pincode followed by [#] and wait for the voice prompt.
3. Press the handle down to open.

## Outdoor | Front panel

1. Place the enrolled finger properly on the fingerprint sensor until you hear a beep sound and a voice prompt.
2. Press the handle down to open.

## Outdoor | Front panel

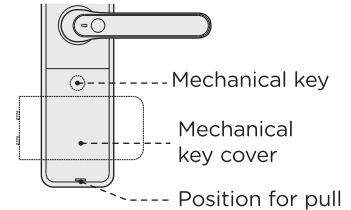
1. Place the enrolled access card properly on the access card reader until you hear a beep sound and a voice prompt.
2. Press the handle down to open.



# UNLOCK BY MECHANICAL KEY

First, Loosen the cover of mechanical key from the position for pull, then rotate it 90 degrees. Insert the key into key hole and rotate it with proper angles. Last, press down handle to open the door.

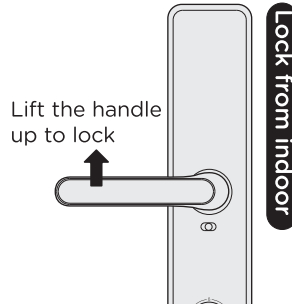
Mechanical key can be used as backup mode in case you forget PIN code or battery run out.



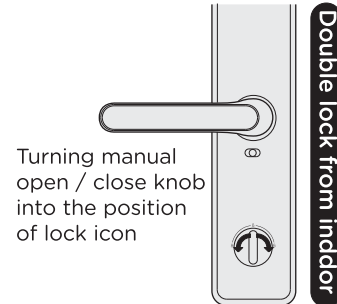
# EASY EVERYDAY LOCK/UNLOCK



Outdoor | Front panel

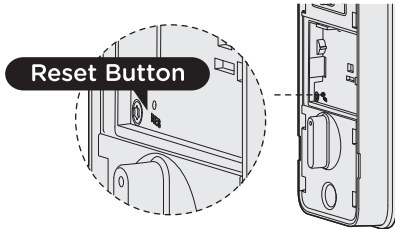


Indoor | Front panel



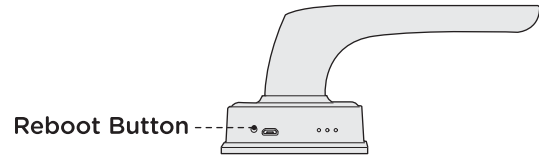
Indoor | Front panel

# OTHER FUNCTIONS



## Factory Reset - Operation Instructions:

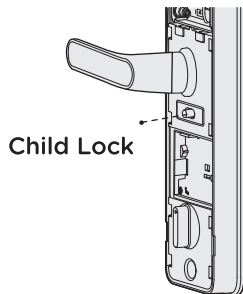
1. Open back cover and find the reset button.
2. Use a paper clip to double click [ RES ] button, then voice prompt "Restored to factory settings. Change master PIN code".
3. After that all user data and settings will be deleted.



## Reboot:

Press the reboot button to restart the lock when the system is unresponsive, no user data is deleted.

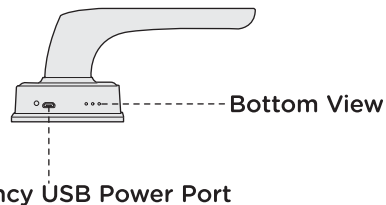
## CHILD LOCK



1. Enable: Move the child lock to display “RED” mark. Once child lock feature is enabled, the indoor handle will be locked.
2. Disable: Move the child lock to display “GREEN” mark. The indoor handle can be pressed down freely.

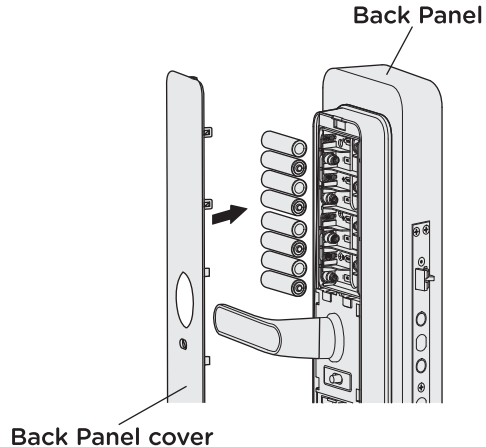
## EMERGENCY POWER SUPPLY

When the battery voltage is too low and cannot be opened from outside, connect a 5V power supply via Micro USB port at the front. Then unlock the door and replace all batteries immediately.



**⚠ Caution:** Do not mix old and new batteries together in replacement.

# REPLACE BATTERY



1.5V AA Alkaline Battery is required. Four batteries are ok for power supply however using 8 batteries are useful for longer time.

When battery voltage is lower than 4.8V, a voice prompt plays "**Low Battery, please replace all batteries**" at each unlocking.

Please replace all batteries immediately, and do not mix old and new batteries together in replacement.

# Safety Guidelines

## Safety instructions:

- Read and understand all instructions before using this smart lock. Damage caused by failure to follow instructions is not covered by the warranty.
- Do not install the Smart Lock in an outdoor environment.
- It is recommended only to use the enclosures/ accessories specified by the company.
- Use only alkaline batteries configured with this product.
- Do not forcibly disassemble this product in order to avoid alarm sound or damage to the product.
- Do not try to dismantle the smart lock or use unnecessary force using sharp tools on the lock. Doing so can cause an electronic shock.
- Do not scratch the fingerprint reader with any sharp objects so as to avoid any permanent damage.
- Do not expose the lock to corrosive substances to avoid damage to outer protective layer of the product.
- When cleaning the product, please wipe it with a soft cloth. Do not use water and any type of solvent to clean the product such as gasoline, alcohol or benzene as they can cause damage to electric circuit, deterioration and/or paint to peel off.
- Do not remove the batteries while operating the lock.
- Please ensure installation is carried out by a professional expert by strictly following company suggested installation instructions.

- After the Door Lock is installed, please modify the default master PIN code immediately and keep the mechanical key in a safe place. Do not disclose the PIN code to any unknown person.
- When low battery alarm is triggered, please replace all the batteries immediately.

### Warning:

- Do not dispose the batteries in fire as it may cause an explosion
- Do not short-circuit the two poles of the battery lead with metal objects as it may cause an explosion.
- Please make sure replacement or maintenance is carried out by a professional expert authorized by Qubo.

- Your warranty may stand null & void if other than Qubo accessories are used (avoid using accessories from other manufacturers)

### Disposal of used battery and lock

- Please understand the local electronic product classification and collection system.
- Please follow the local regulations and do not discard used batteries into ordinary household garbage.
- Proper disposal of used product helps to avoid potential negative impacts on the environment and human health.

# SUPPORT

## In case you need further help setting up this device:

- Visit the support section on our website and download the detailed user manual.
- Visit our YouTube page and watch the How-To videos.
- Contact our customer care center at 1800-572-5757.

## Disclaimers

- Hero Electronix Private Limited reserves the right to make changes to existing services without prior notice, at its sole discretion.
- Images used are for reference purpose only. Actual product might vary in terms of colour and composition.
- All related logos are trademark of Hero Electronix Pvt. Ltd.
- Certain features may not be available at the time of launch.



Connected Smart Devices from



**Hero  
Electronix**

**Hero Electronix Pvt Ltd.**

503, Rectangle - 1, D-4, Saket District Centre, New Delhi - 110017

[www.quboworld.com](http://www.quboworld.com), [helpdesk@quboworld.com](mailto:helpdesk@quboworld.com)

**1800-572-5757**

Follow us on

