



Qubo

△ Hero
Group Venture

The QBOOK

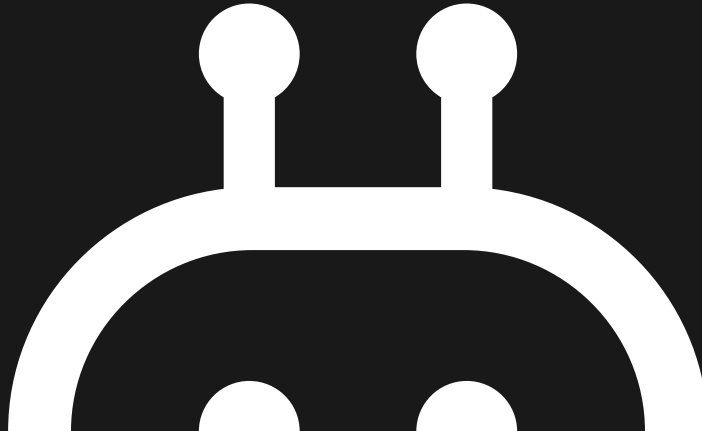
Smart Door Lock
ALPHA



VISIT OUR YOUTUBE CHANNEL FOR MORE
INFORMATION AND HOW-TO VIDEOS



Scan QR code



Meet
QUBO
Smart Door Lock
ALPHA

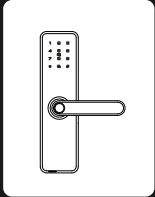
Never get locked out again! Discover Qubo's Keyless Smart Door Locks that come with 6-way access (Fingerprint, Passcode, OTP, Access Card, Mobile App and Mechanical Key).

Enjoy the key-less convenience and security of smart living.

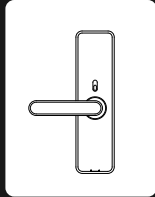
Contents

1. What's in the box
2. Let's take a closer look
3. What will you need
4. How to install
5. How to set-up
6. Safety Guidelines
7. Warranty
8. Support

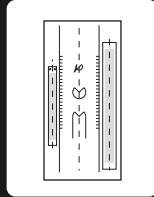
WHAT'S IN THE BOX



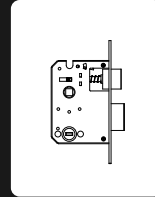
Front Panel
(Including silicone pad)



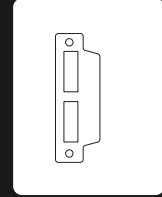
Back Panel
(Include silicone pad)



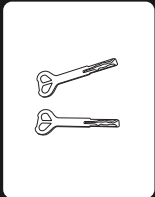
Drilling Template



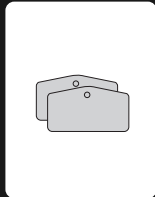
Mortise



Side buckle plate



Mechanical key



User cards



Screw Kit

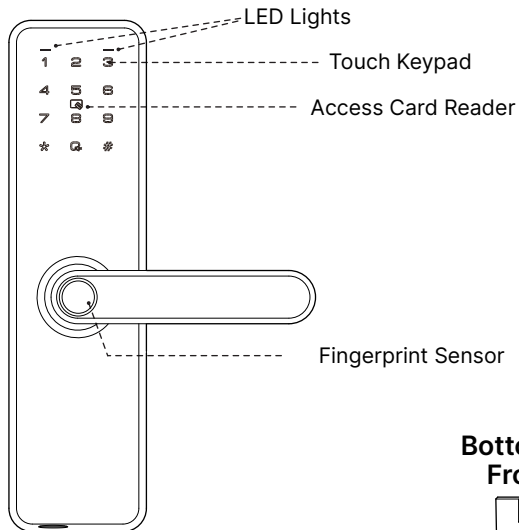


Digital QR Car
(Digital Warranty
+User Manual)

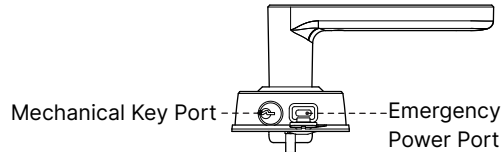
Disclaimer The above items are for reference purpose only, actual items in the box may vary.

LET'S TAKE A CLOSER LOOK

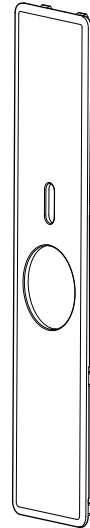
Front Panel



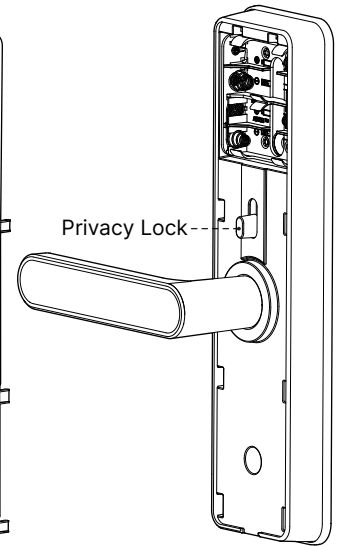
Bottom View of Front Panel



Battery Cover

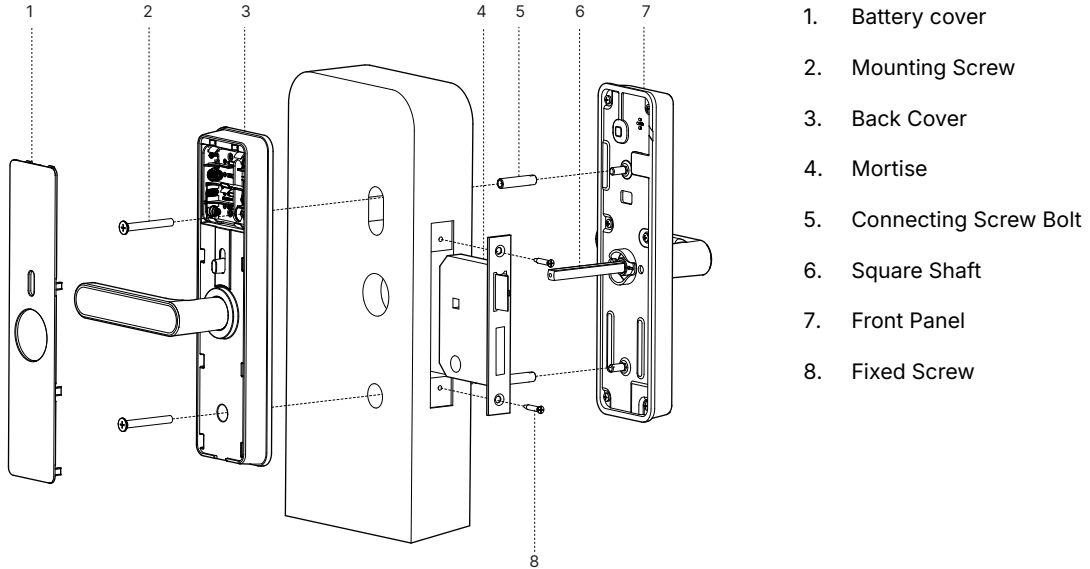


Back Panel



EXPLODED VIEW OF YOUR DEVICE

This lock explosive view is helpful to learn lock's structure



WHAT WILL YOU NEED



Qubo Mobile App
on Your Smartphone



4 AA Alkaline
Batteries

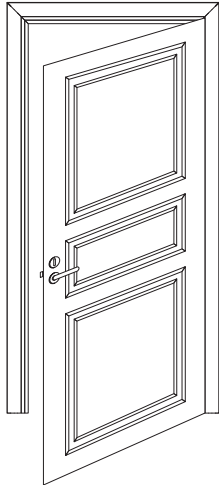


HOW TO INSTALL YOUR SMART DOOR LOCK

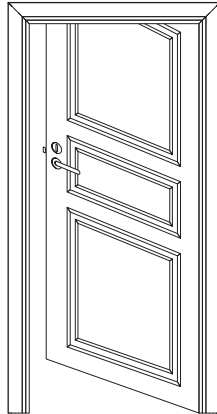
Check for the direction in which the door opens.

Irrespective of the direction they open in, Qubo Smart Door Locks are compatible with all doors.

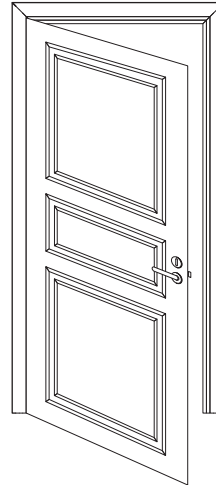
Right-out



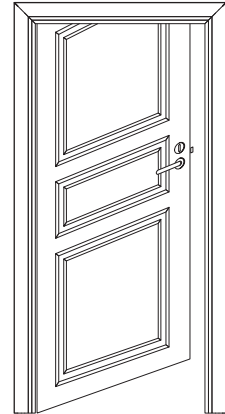
Right-in



Left-out

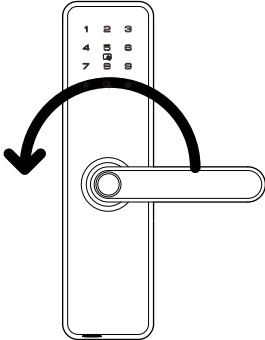


Left-in

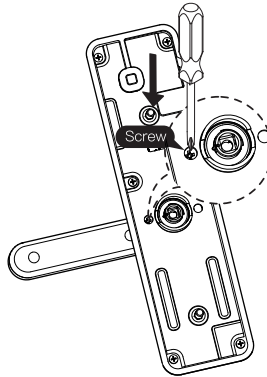


SET HANDLE DIRECTION OF FRONT PANEL

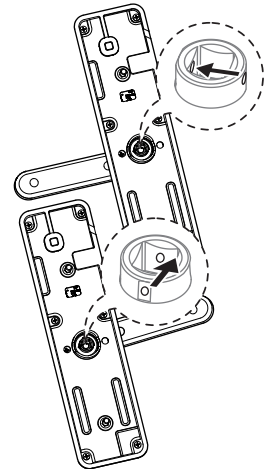
The handle is initially free-moving. To adjust its position, select the desired direction and then secure it in place by tightening the screw on the back.



Step 1: Turn the handle to the desired position.



Step 2: Tighten the screw to ensure the handle is securely fixed.

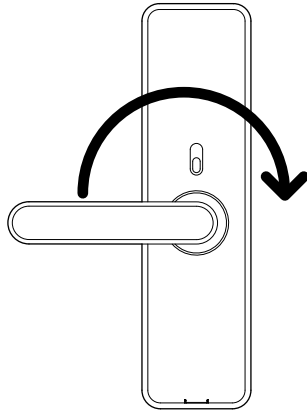


A: Right-in or Right-out door, The square axle hole is in the vertical direction.

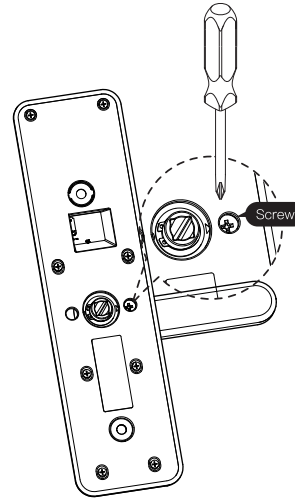
B: Left-in or Left-out door, The square axle hole is in the horizontal direction.

SET HANDLE DIRECTION OF BACK PANEL

The handle is initially free-moving. To adjust its position, select the desired direction and then secure it in place by tightening the screw on the back.



Step 1: Turn the handle to the desired position.

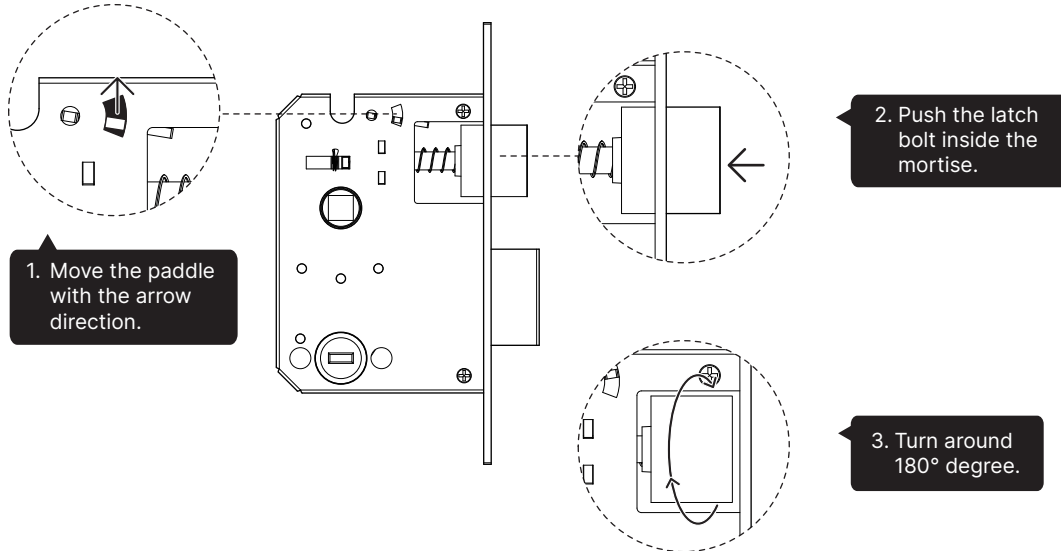


Step 2: Tighten the screw to ensure the handle is securely fixed.

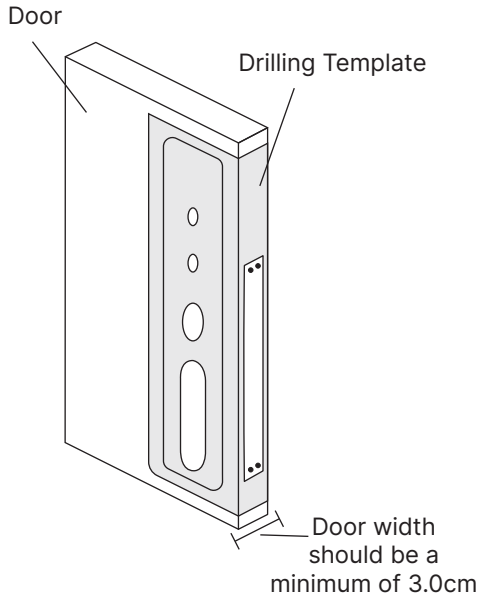
SET LATCH DIRECTION

The latch is set to right-in/right-out motion by default.

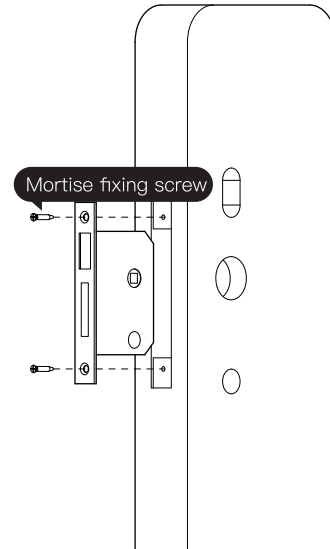
Hold up the 'bolt switcher'. Push and rotate the latch inside the mortise and release.



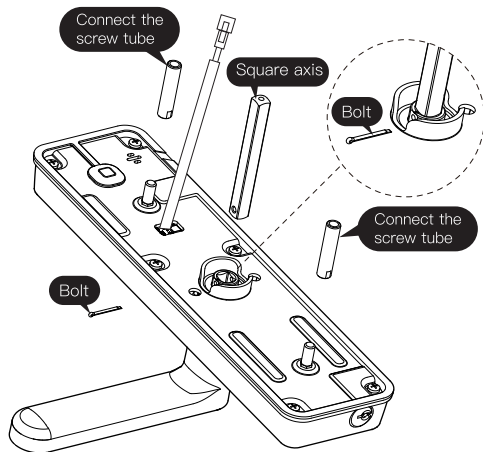
According to the internal and external opening requirements, change the direction of the directional screw (the directional screw must be installed on the inside of the door, the side with the directional screw, the side must be the inside escutcheon)



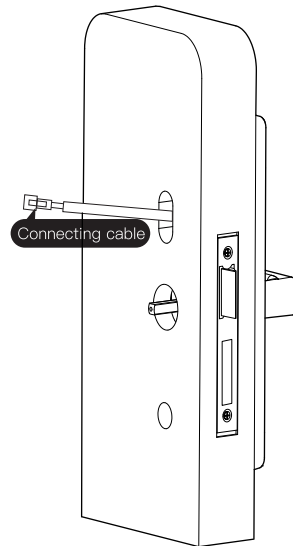
Step 1: Position the 'drilling template' (provided in the box) on the door and drill holes as illustrated.



Step 2: Make a hole in the door according to the template, put the mortise into the door frame, and tighten the fixing screws.

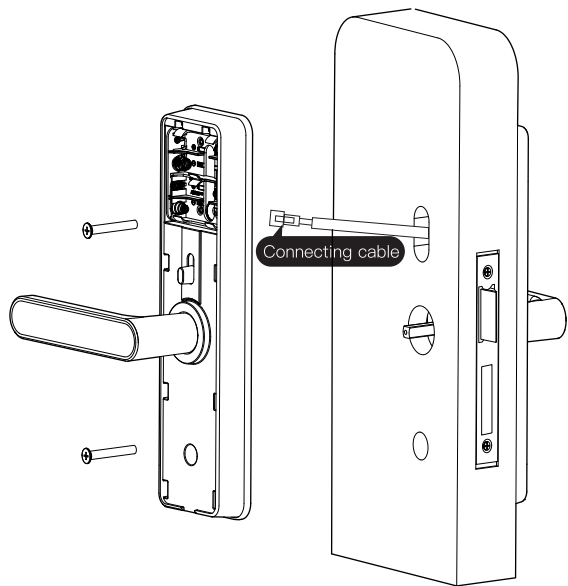


Step 3: Fix 2 screw bolts on the front panel, place square shaft into the bore.

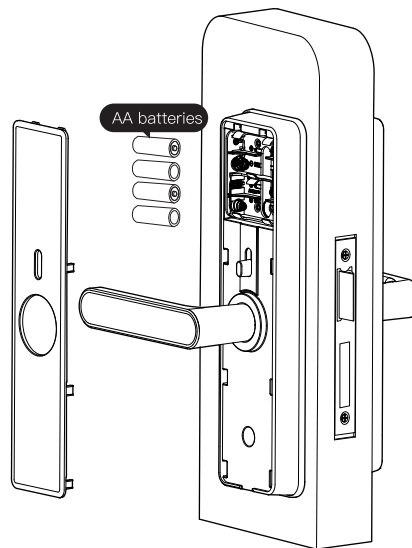


Step 4: Pass the connecting cable of front panel through the hole

Disclaimer Ensure the end of the shaft is securely fastened using the pin provided by twisting it into place.

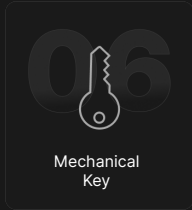
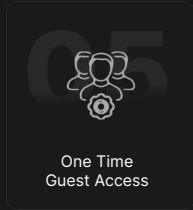
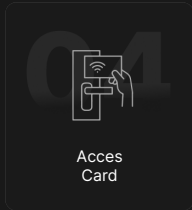
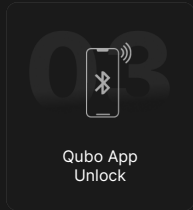
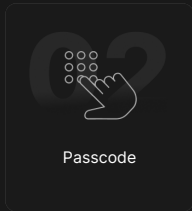
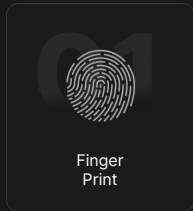


Step 5: Place square shaft in the back panel properly and connect the back panel with connecting cable.



Step 6: Plug-in the batteries and the battery cover. Lastly, install the strike plate on the door frame.

MULTIPLE WAYS TO ACCESS YOUR DOOR



HOW TO SET-UP ACCESS FOR SMART DOOR LOCK

ACCESS SETUP THROUGH QUBO APP

Step 1:

Download the Qubo App from Google Play or Apple App Store by scanning the QR Code below.



<https://www.quboworld.com/apps>

Step 2:

Create an account on the Qubo App if you don't have one already. If you have a pre-existing account, follow the instructions on the app to get started.

You can also set-up access by following these steps:

ACCESS SETUP MANUALLY

Step 1:

Set-up a Master PIN

- Touch the screen to activate
- By default, Master PIN is 12345678
- Press* twice and enter Master PIN code and press#
- Follow the steps as shown on the door lock

Step 2:

To add user passcode press 1 for user setting, then press 1 to enroll user passcode. Enter two-digit user number (00-09), and confirm with #key.

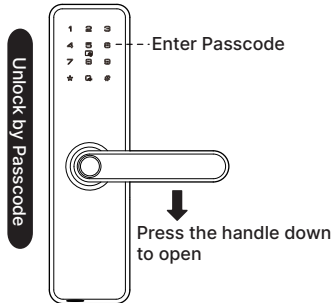
Step 3:

Enter user passcode code (6-12 digit) and confirm with #key.

To know how to add or delete access options for your Qubo Smart Door Lock, click [here](#).

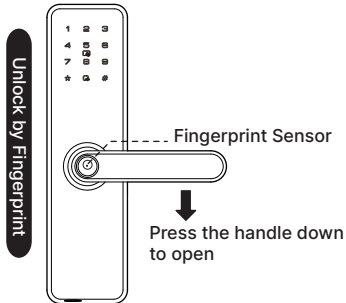
Note: Smart Door Lock access setup is recommended through Qubo Mobile App.

HOW TO UNLOCK FROM FRONT PANEL



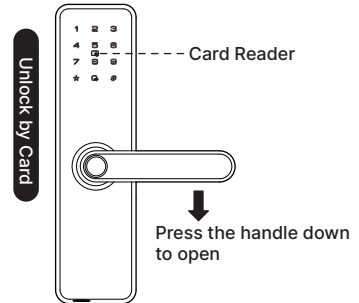
Outdoor | Front panel

1. Slide your hand on the touch pad from top to bottom to activate the number keypad.
2. Enter passcode and wait for the voice prompt before opening the door.
3. Press the handle downward to open.



Outdoor | Front panel

1. Place your registered finger on the fingerprint sensor and wait for the voice prompt before opening the door.
2. Press the handle downward to open.



Outdoor | Front panel

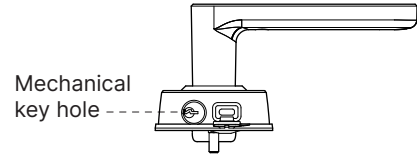
1. Place the enrolled access card properly on the access card reader until you hear a beep sound and a voice prompt.
2. Press the handle downward to open.

UNLOCK BY MECHANICAL KEY

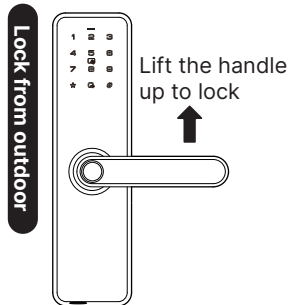
Press the mechanical key cover and then rotate it clockwise to open the cover.

Insert the key into keyhole and rotate. Lastly, press down handle to open the door.

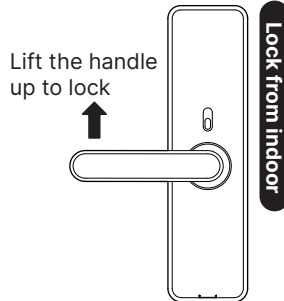
Mechanical key can be used as backup in case you forget the passcode, or the lock runs out of battery.



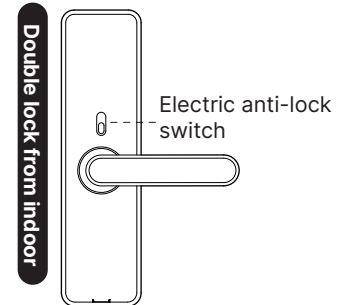
EASY EVERYDAY LOCK/UNLOCK



Outdoor | Front panel

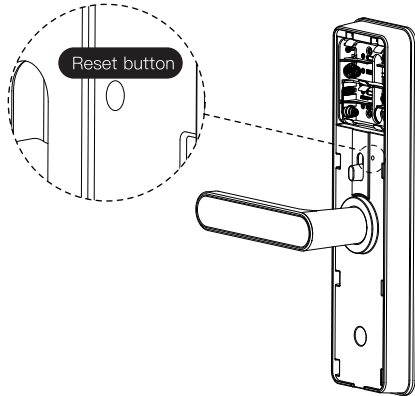


Indoor | Back panel



Indoor | Back panel

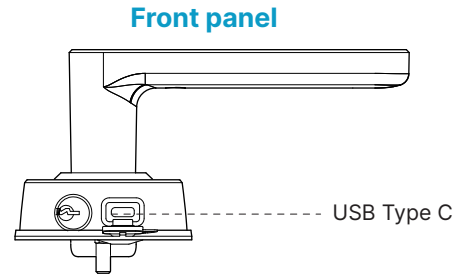
OTHER FUNCTIONS



Factory Reset- Operation Instructions:

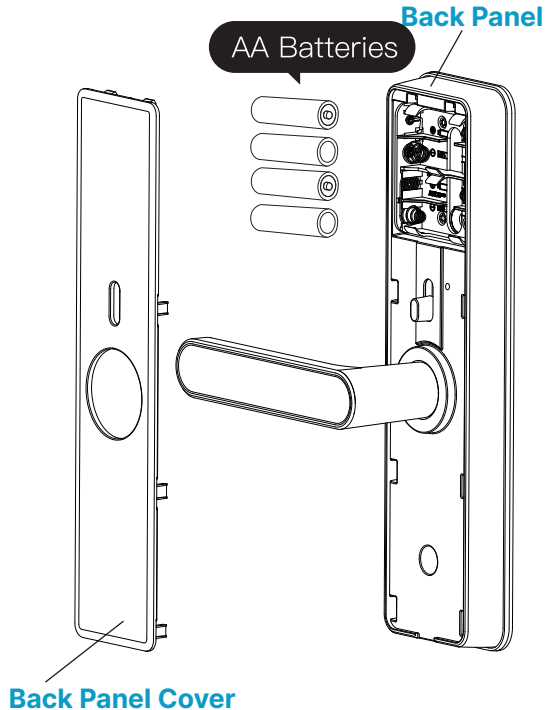
1. Open back cover and find the reset button.
2. Use a paper clip to swiftly double click [RES] button. Reset your passcode after the voice prompt, "Restored to factory settings, change master passcode".
3. All user data and settings will be deleted after Factory Reset.

EMERGENCY POWER SUPPLY



1. If the lock battery runs low, use the emergency power supply port to charge and turn on the device. The port is located at the bottom of the front panel.

REPLACE BATTERY



When the battery voltage drops below 20%, the lock alerts the user through a voice prompt, "**Low battery, please replace all batteries**".

Four AA alkaline batteries, each of 1.5V, are required. Replace all the old batteries with the new one. Do not mix the old and new batteries while replacing.

Safety Guidelines

Read and understand all instructions before using the Qubo Smart Door Lock.

- Damage caused by failure to follow instructions is not covered under the warranty.
- Do not install the Smart Lock in an outdoor environment.
- It is recommended to use only the enclosures/ accessories specified by Qubo.
- Use only good quality AA alkaline batteries with the product.
- Do not forcibly disassemble this product in order to avoid alarm sound or physical damage to the product.
- Do not try to dismantle the smart lock or use unnecessary force using sharp tools on the lock. Doing so can cause an electronic shock.
- Do not scratch the fingerprint reader with any sharp objects so as to avoid any permanent damage.
- Do not expose the lock to corrosive substances to avoid damage to outer protective layer of the product.
- When cleaning the product, please wipe it with a soft cloth. Do not use water and any type of solvent to clean the product such as gasoline, alcohol or benzene as they can cause damage to electric circuit, deterioration and/or paint to peel off.
- Do not remove the batteries while operating the lock.
- Please ensure installation is carried out by a professional expert by strictly following company suggested installation instructions.
- After the Door Lock is installed, please modify the default master Passcode immediately and keep the mechanical key in a safe place.

Do not disclose the new passcode to any unknown person.

- When low battery alarm is triggered, please replace all the batteries immediately.

Warning:

- Do not dispose the batteries in fire as it may cause an explosion.
- Do not short-circuit the two poles of the battery lead with metal objects as it may cause an explosion.
- Please make sure replacement or maintenance is carried out by a professional expert authorized by Qubo.
- Your warranty may stand null & void if other than Qubo accessories are used (avoid using accessories from other manufacturers).

Disposal of used battery and lock

- Please understand the local electronic product classification and collection system.
- Please follow the local regulations and do not discard used batteries into ordinary household garbage.
- Proper disposal of used product helps to avoid potential negative impacts on the environment and human health.

LIMITED WARRANTY STATEMENT

NOTE:

This is a simplified and concatenated version of the standard warranty terms and conditions. For the complete warranty terms and conditions, please refer to the website link given at the end of the document. Alternatively, you can reach out to our toll free helpline number to know about the same.

Important:

Please retain your receipt as proof of purchase.

HERO Electronix Private Limited warrants to the owner of the Qubo Device, that the Device will be free of defects in material and workmanship for a period as mentioned below.

Item	Warranty Period	Scope of Warranty
Door Lock	3 Years from the date of purchase	This warranty covers only the defects in products arising from manufacturing or faulty workmanship.

During this warranty period, if any defect arises in the Device, HERO Electronix will, at its sole discretion, either (i) repair the device free of cost with either new or refurbished parts, or (ii) replace the Device with a new or refurbished Device that is equivalent to the Device to be replaced. This limited warranty applies to any repair, replacement part or replacement device for the remainder of the original warranty period or for 90 (Ninety) days, whichever period is longer. This limited warranty is non-transferable. This limited warranty is only valid in India.

Instructions:

For specific instructions about how to obtain warranty services for your Device, please contact our toll-free helpline +91 8178977914. In general, the end user needs to call our Toll Free number and register the complaint. The Tech team will help the customer to resolve the issue. In case customer needs further assistance, the agent will arrange for engineer visit and/or device replacement.

This limited warranty does not cover the following (Collectively Ineligible Products):

- i. If the warranty seal on the Device is broken.
- ii. Devices that have been subjected to:
 - (a) modifications, alterations, tampering or improper maintenance and repair, (b) handling, storage, installation, testing or use not in accordance with any User Guide, Placement Guidelines, other instructions provided by HERO Electronix, (c) abuse or misuse of the product, (d) breakdown, fluctuations, or interruptions in electrical power or the telecommunication network, or (e) Acts of God, including but not limited to lightning, flood, tornado, earthquake or hurricane.
- iii. Errors and damages caused by:
 - (a) liquid ingress, or spilled food, or physical abuse, or normal wear and tear, (b) use of or being connected to any accessory which was not supplied or authorised by HERO Electronix.
- iv. Plastic components like front or back covers plus rubber components.
- v. Physical or cosmetic damage to Silicon cover.

For all product related complaints/assistance, please contact as at:
support@quboworld.com
www.quboworld.com

SUPPORT

In case you need further help setting up device:

- Visit support section on our website and download the detailed user manual.
- Visit our YouTube page and watch the How-To videos.
- Contact our customer care center at +91 8178977914.

Disclaimers

- Hero Electronix Private Limited reserves the right to make changes to existing services without prior notice, at its sole discretion.
- Images used are for reference purpose only. Actual product might vary in terms of colour and composition.
- All related logos are trademark of Hero Electronix Pvt. Ltd.
- Certain features may not be available at the time of launch.



Connected Smart Devices from



**Hero
Electronix**

Hero Electronix Pvt Ltd.

Plot No. 4, Khasra No. 382, Village Sultanpur, MG Road, New Delhi - 110030

www.quboworld.com, helpdesk@quboworld.com

+91 8178977914

Follow us on

